

# **Stacking household energy storage batteries**





## Stacking household energy storage batteries

---



### 16kWh Home Soalr Energy Storage Battery Pack , XIHO Lithium Battery ...

XIHO STACKABLE HOME ENERGY STORAGE BATTERY XIHO 16kWh LiFePO4 Battery Pack offers flexible OEM/ODM customization and supports stacking up to 240kWh . Equipped with ...

[Email Contact](#)

### Advantages of Stacked Lithium Batteries for Residential Home Energy Storage

A stackable lithium energy storage battery offers a powerful, scalable, and space-efficient solution for modern energy storage needs. With its high energy capacity, flexible expansion options, ...

[Email Contact](#)



### [Stackable Energy Storage: Cut Costs & Boost Efficiency \[2024\]](#)

Stackable energy storage batteries come into play as a flexible tool to help manage power use around the clock. In the sections below, we break down how these systems ...

[Email Contact](#)



### [Introduction to Stacked Energy Storage System](#)

Stacked energy storage systems utilize modular design and are divided into two specifications: parallel and series. They increase the voltage and capacity of the system by ...

[Email Contact](#)



### [Stackable Battery, Solar Lithium Batteries](#)

GSL ENERGY offers a versatile range of stackable home battery storage systems designed for easy scalability and efficient energy management. Our stackable solar lithium batteries provide ...

[Email Contact](#)



### [What is a Stacked energy storage battery?](#)

Discover the benefits of stacked energy storage batteries for efficient and scalable energy solutions. Learn how modular battery stacking enhances capacity, saves space, and ...

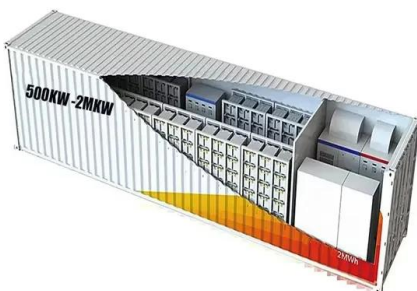
[Email Contact](#)



### [Advantages of Stacked Lithium Batteries for Residential Home...](#)

A stackable lithium energy storage battery offers a powerful, scalable, and space-efficient solution for modern energy storage needs. With its high energy capacity, flexible expansion options, ...

[Email Contact](#)



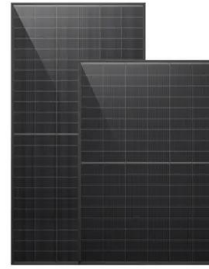


### [Stackable Lithium Battery?BSLBATT Residential](#)

...

Easily scale your energy storage with BSLBATT stackable batteries. Their modular, compact design allows vertical or horizontal stacking, making them ...

[Email Contact](#)



**1mwh** (500kw/1mw)  
AIR COOLING  
ENERGY STORAGE CONTAINER



### **Stackable Lithium Battery?BSLBATT Residential Solar Battery Storage ...**

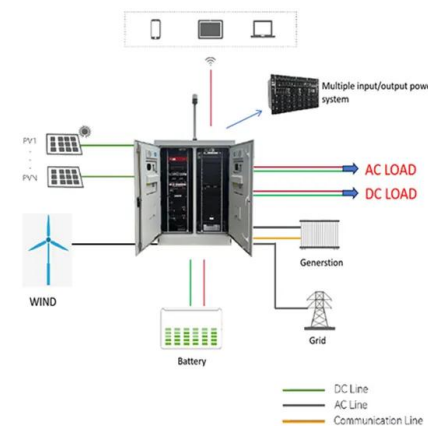
Easily scale your energy storage with BSLBATT stackable batteries. Their modular, compact design allows vertical or horizontal stacking, making them perfect for expanding solar systems ...

[Email Contact](#)

### [What Are The Best Batteries For Whole Home Backup?](#)

The batteries used in both systems are identical--whole-home backup simply requires more of them. Think of it like generators: You can choose a small ...

[Email Contact](#)



### [10.64kWh-37.27kWh High Voltage Solar Battery? Stackable Home Battery](#)

10.64kWh-37.27kWh High Voltage Solar Battery Stackable Home Battery Storage System The MatchBOX HVS is a stackable lithium battery for residential energy storage, using LiFePO4 ...

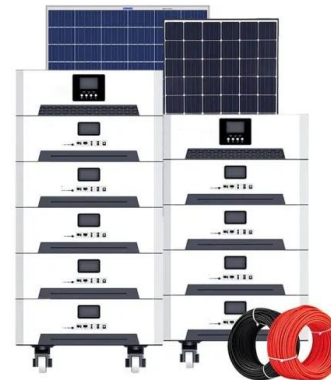
[Email Contact](#)



### [Stackable Lithium Battery Backup for Home](#)

Stackable Lithium Battery Backup for Home is a modular energy storage solution designed to provide backup power for home appliances and devices during ...

[Email Contact](#)



#### **GRADE A BATTERY**

LiFePO4 battery will not burn when overcharged, over discharged, overcurrent or short circuited and can withstand high temperatures without decomposition.



### [Stackable Home Battery Storage Systems , XIHO Energy Storage Battery](#)

XIHO ENERGY provides stackable home lithium battery systems enabling flexible capacity expansion. They seamlessly integrate with solar devices to ensure household power supply ...

[Email Contact](#)

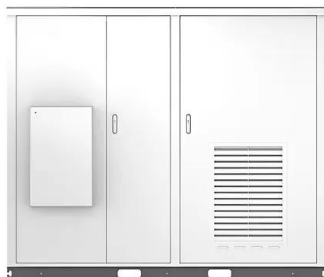
### [What Are Stacked Batteries and How Do They Work?](#)

But what exactly are stacked batteries, and how do they function? This article explores the concept, design, and operation of stacked battery ...

[Email Contact](#)



Solar



### [30kWh Lithium LifePo4 Stackable Batteries](#)

51.2v (48V) 600Ah - 30kWh Lithium LifePo4 Stackable Batteries - Home Energy Storage £ 4,912.50 High quality grade A cell batteries 10kWh x 3 batteries - ...

[Email Contact](#)



[World's first 9 MWh energy storage system by CATL ...](#)

CATL's new Tener Stack energy storage system breakthrough can supply electricity from renewables to the average home for up to six ...

[Email Contact](#)



[A Comprehensive Guide to Battery Stacks: Power Within](#)

In the world of energy storage, battery stacks stand as the cornerstone of innovation, enabling diverse applications across industries. ...

[Email Contact](#)

[Comparing Storage Capacities of Home Batteries](#)

The home storage revolution is here, and there are plenty of options when it comes to home batteries that you can install. In this article, ...

[Email Contact](#)

**Highvoltage Battery**



[The best home battery and backup systems of 2025: Expert tested](#)

Our top pick for the best home battery and backup system is the Tesla Powerall 3 due to its 10-year warranty, great power distribution, and energy capacity of 13.5kWh.

[Email Contact](#)





### [Comparison of Stackable and Wall Mounted Household Energy Storage](#)

With the advancement of household energy storage battery technology, different types of designs continue to emerge, among which stacked and wall mounted are two common designs for ...

[Email Contact](#)



### [Stackable Lithium Battery Backup for Home](#)

Stackable Lithium Battery Backup for Home is a modular energy storage solution designed to provide backup power for home appliances and devices during power outages or emergencies.

[Email Contact](#)

### [Exploring Stackable Home Energy Storage Systems](#)

Stackable energy storage systems are revolutionizing the way households manage their energy needs. By combining multiple lithium-ion battery units into a unified storage ...

[Email Contact](#)



### [What Are Stacked Batteries and How Do They Work?](#)

But what exactly are stacked batteries, and how do they function? This article explores the concept, design, and operation of stacked battery systems, providing a ...

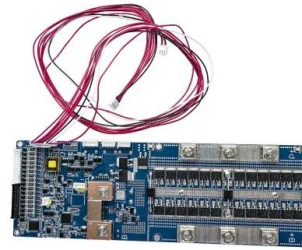
[Email Contact](#)



### [Stacked Lithium Battery for Home Energy Storage](#)

Whether it is a small family home or a large villa, the solar stackable battery storage system can meet its power needs and is an advanced, efficient and environmentally friendly home energy ...

[Email Contact](#)



### [Stacking home energy storage batteries](#)

A single battery may not be able to power your whole home, so you'll need to prioritize what's essential, such as lights, outlets, air conditioning, the sump pump, and so on. But if you want ...

[Email Contact](#)

### [LV-BST-H5.12Aa \(Home Energy Storage Battery Series\)](#)

The LV-BST-H5.12Aa is a flexible, modular home energy storage battery offering reliable backup power and energy independence. With a scalable capacity from 5.12kWh to 30.72kWh and a ...

[Email Contact](#)



### [Stacked Lithium Battery for Home Energy Storage](#)

Whether it is a small family home or a large villa, the solar stackable battery storage system can meet its power needs and is an advanced, efficient and ...

[Email Contact](#)





[40kWh Home Energy Storage Battery 51.2V 206Ah ...](#)

About this item ??4PCS 51.2V 206Ah Module?  
Dawnice 40kWh home energy storage battery consists of 4 3 51.2V 206Ah modules connected ...

[Email Contact](#)



## Contact Us

---

For catalog requests, pricing, or partnerships, please visit:  
<https://ogrzewanie-jelenia.pl>